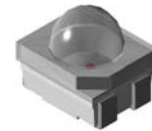


3528 Dome Package SMD LED

VR 7628

Description

The constructive of this series of LED are different from the PCB type SMD LED. The lead-frame is of metal, reflector is made of thermoplastic and construct into this unique type of SMD LED. The wavelengths and luminous Intensities of this series are grouped under 50mA for uniformity. The dice used in this series is AlGaInP technology. The advantages of AlGaInP are low power consumption and obtaining high luminous intensity.



Applications

- Dashboards and switch
- Backlight keypads
- Industrial control systems signal indicator
- Automotive features
- Industrial panel



Electronic Optical Characteristics (at 50mA):

Part Number	Emitted Color	λ (nm)		Lens Color	Iv(mcd)		View Angle (2 θ 1/2)	VF(V)	
		λ_d	λ_p		Min.	Typ.		Min.	Max.
VR 7628	Yellow 	589	591	Milky	7100	11200	30	1.8	2.6

Absolute Maximum Ratings (at Ta=25°C)

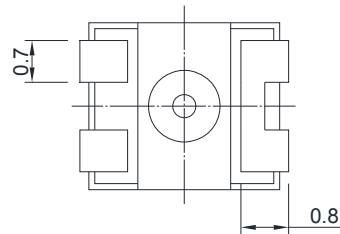
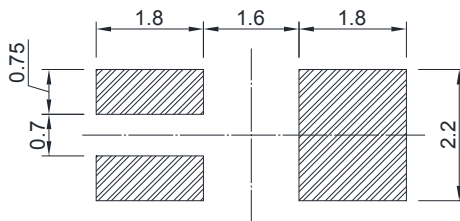
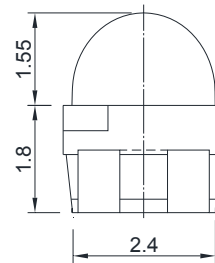
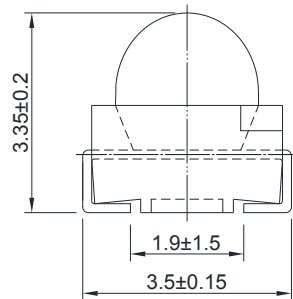
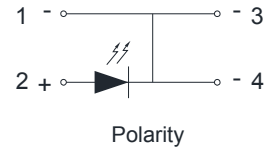
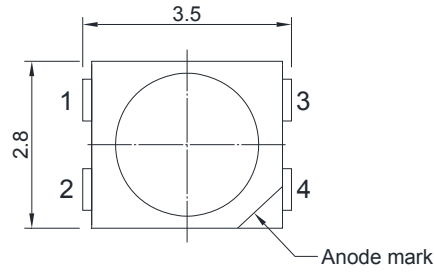
P _D (mW)	I _{FP} (mA)	I _F (mA)	Iron Solder(°C)	I _R (μ A)@V _R =12V	T _{opr} (°C)	T _{stg} (°C)
120	100*	50	350 \pm 5 for 3 sec.	10	-40~+100	-40~+110

Note: Please take note the Absolute Maximum Rating values. Any operation beyond the specify ratings in this table will result degradation of LED life-span and may cause LED to fail.

* I_{FP}: Peak Forward Current under 1/10 duty, 1KHz condition

Package Dimension:

unit:mm

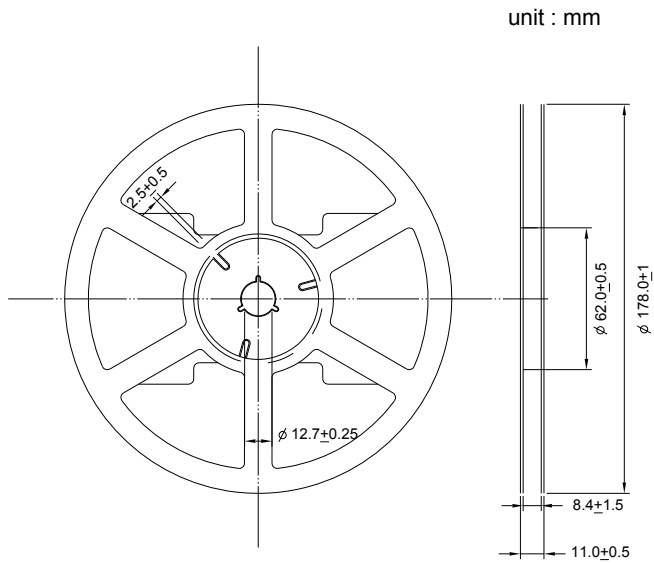


Recommended Soldering Pad

Notes:

1. All dimensions are millimeters.
2. Tolerance is ± 0.2 mm unless otherwise specified.
3. Specifications are subject to change without notice.

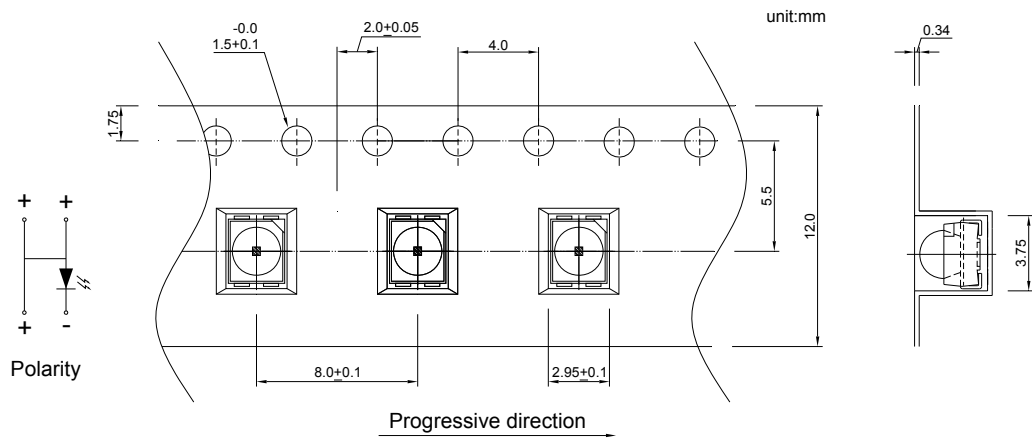
Reel Dimension:



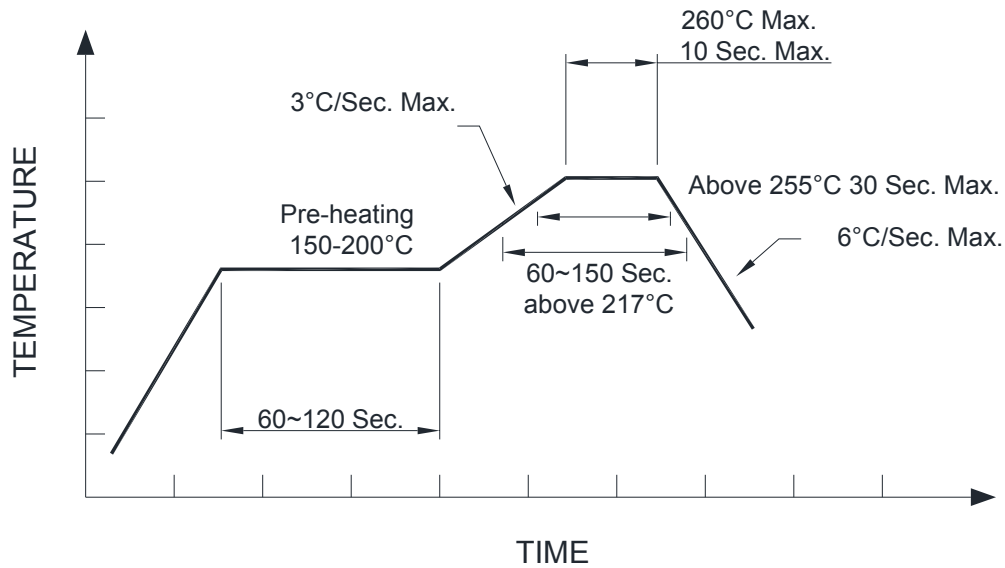
Note:

Available in 8mm carrier tape on 178mm diameter reels. (500 pieces)

Tape Dimension:



Recommended Pb-free re-flow soldering profile:



Note:

All the specifications listed in this data sheet are suitable for general electronic equipment, office equipment and communication devices. Kindly consult Sales Representatives for specific reliabilities request, Forward Voltage, Luminous Intensity, Wavelength, Radiant Power or Viewing Angle.

Specification for bin grade @50mA

Iv(mcd)			λ d(nm)		
Code	Min.	Max.	Code	Min.	Max.
EA	7100	9000	A7	589	592
EB	9000	11200	A8	592	595
FA	11200	14000	-	-	-
FB	14000	18000	-	-	-